

DATE: May 7, 2021

PRICE QUOTATION: #R011801-21B

PRESENTED TO:

PRESENTED BY:

Phone:
Email:
Company:

MAILING ADDRESS:

SHIPPING ADDRESS:

CASADEI NATIONAL SALES MANAGER:

Jeff Farr

Cell Phone: 404-403-1603
Email: jfarr@jklmachinery.com

PHONE:

FAX:

EMAIL:



PS 63 24" PLANER W/ HELICAL CUTTER-HEAD

EXPLORE THIS MACHINE ONLINE:

[HTTPS://WWW.CASADEIBUSELLATO.US/COLLECTIONS/PLANERS/PRODUCTS/PS-63S-24-PLANER-598295-1](https://www.casadeibusellato.us/collections/planers/products/ps-63s-24-planer-598295-1)

PS 63 24" PLANER W/ HELICAL CUTTER-HEAD

SPECIFICATIONS:

- Thickening table lifting by 4 precision jackscrews
- 2-Speed motorized table adjustment w/ fine adjustment
- 4 feed speeds
- Rubber-covered top out-feed roller
- Mechanical digital readout of working height
- Interchangeable upper feed rollers
- Soundproofing
- Safety switch on top access hood

ELECTRICAL DATA:

- Service, 230 V – 3 Ph – 60 Hz
- Direct start main motor
- Main switch lock out

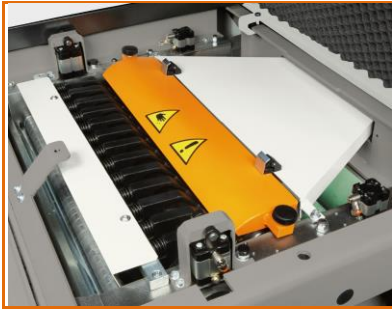


TECHNICAL DATA:

• Working width	630 mm	24.8"
• Table Size	630 x 1000mm	24"x39.5"
• Working height (min/max)	3.5/300 mm	0.14/11.8"
• Maximum depth of cut	8 mm	0.31"
• Cutterblock speed	4500 RPM	
• Cutterblock diameter / no. of knives	120 mm / 4	4.72"
• Feed speeds (4)	5/8/12/18 mpm	16/26/40/60 fpm
• Dust extraction diameter	150 mm	6"
• Min dust extraction air velocity	20 mps	65 fps
• Min dust extraction air volume	1300 m ³ /h	765 cfm
• Machine weight		2,075 lb
• Main motor		15 Hp – S6
• Tooling (105 Spiral Spindle Knives)	15x15x2.5 mm	
• Overall Machine Dimensions	1305 x 1080 mm	51 x 42.5"

CA1246	PS 63 24" Planer
CA4330	Motor 11kW / 15 HP 60Hz
CA4332	Worktable with 2 idle rollers
CA4333	1 st Powered sectional steel in-feed roller
CA4402	Spiral Planning Spindle with 3 sets of knives
CA9340	Seaworthy Packing

FEATURES



- Planer w/ infeed anti kick-back fingers, segmented chipbreakers, steel sectional infeed roller and rubber coated outfeed roller

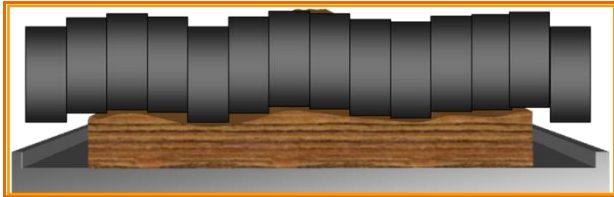


Roller System

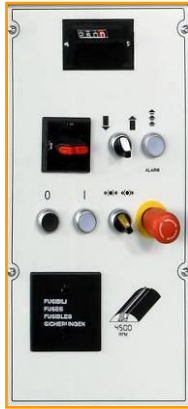
- 1) Steel sectional infeed roller
- 2) Cutter Head
- 3) Rubber outfeed roller
- 4) Powered rubber out feed roller (optional)



- **Segmented chipbreakers** to ensure uniform pressure on uneven work pieces



- Thicknessing table positioned by four (4) industrial jack screws with dust bellows.
- Motorized thickness adjustment with mechanical digital readout.



- Powered raise & fall of the worktable with 2 speeds

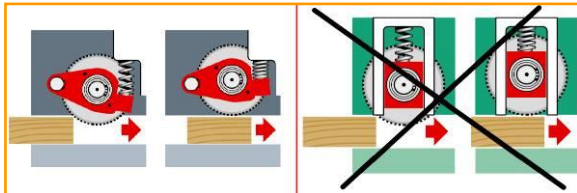


The PS 63 is equipped, standard w/

- 4- Selectable feed speeds
- 5, 8, 12, and 18 mpm
(16, 26, 40, and 60 fpm)



- Two (2) Floating bed rollers



Feed roller geometry

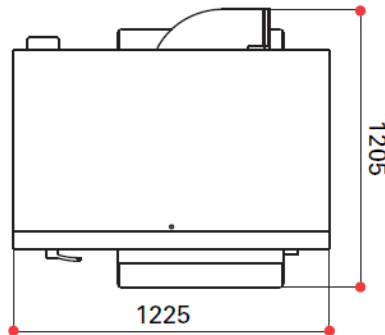
- Pivoting action
- Positive feed
- Less resistance



Helical (Spiral) cutter block:

- Shearing cut for better quality finish
- 4 sides per knife for long lasting use
- Quiet sound

DIMENSIONS (MM)



MACHINE PRICE:

MACHINE PRICE:	\$19,307.00 USD
DELIVERY:	NOT INCLUDED
INSTALLATION:	NOT INCLUDED
TOTAL PRICE:	\$19,307.00 USD

WARRANTY:

Seller warrants, for a period of one (1) year beginning on the date the Machinery is accepted, that the Machinery will be free of defects in workmanship and materials, excluding belts, bearings, and common electrical parts, which carry a six-month warranty. This warranty does not include parts consumed during normal operation (wearable items), working units, or maintenance required in the ordinary course of operation. Seller shall warrant any replacement spare parts and accessories installed pursuant to this warranty for the period of ninety (90) days.

TOOLING:

Tooling, including blades, is not included unless noted. Upon request, we can supply a quotation of the most suitable tools required for use on this machine.

VALIDITY:

This Quotation is valid for a period of thirty (30) days from the date hereon.